

Smart Touch Display

The STD design integrates smart intercom, ZigBee gateway and home automation.

ii

 by Oscar Rechou

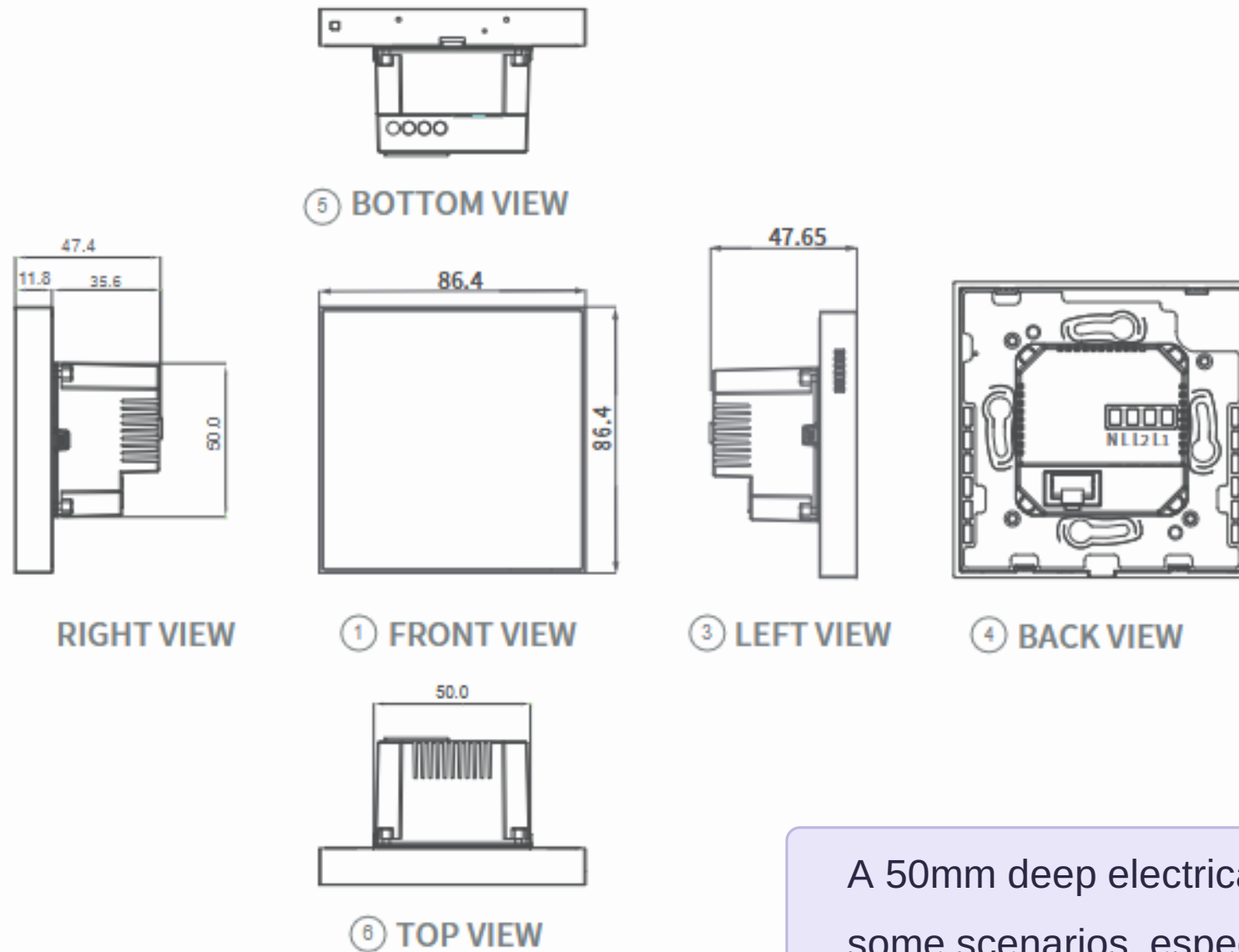


Product Overview

The “Smart Touch Display” is a smart home center panel with a Android operating system. The ALL IN ONE design integrates smart intercom, ZigBee gateway and home automation, and is compatible with plentiful ecosystem. Multi-modal interaction can be easily used by the whole family, offering the excellent smart home experience.

- 4" touch screen with energy saving mode**
- Excellent performance with Android 10 System**
- 2-gang switch, replace conventional switch**
- Smart intercom, ZigBee gateway, home automation ALL IN ONE**
- Kinds of sensors built-in**
- EU standard flush mounted box**

Product Specification



A 50mm deep electrical box is highly recommended for ease of installation. In some scenarios, especially when the wires can be pushed back into the wall far enough, it may be possible to use a 40mm deep box.

Technical Information

Technical Specifications

- Model Number: STD-R2-EU
- Power Supply: 220Vac \pm 20%
- Operation System: Android 10
- RAM / ROM: 1GB/ 8GB
- Wi-Fi: IEEE802.11 b/g/n, @2.4GHz
- Bluetooth: BLE 4.2

Connectivity and Features

- Ethernet ports: 1xRJ45, 10/100Mbps adaptive
- ZigBee: ZigBee 3.0
- Relays out: 2-gang
- Microphone: Dual microphone,-42DBV
- Speaker: Single speakers, 8 Ω / 1.5W

Built-in Sensors



Proximity Sensor

Detects nearby objects or user presence

Range: 30~60cm



Light Sensor

Measures ambient light levels

Low-level lux detection



Temperature Sensor

Monitors room temperature

Accuracy: $\pm 1^{\circ}\text{C}$,
Range: -10°C ~ 55°C



Humidity Sensor

Measures air moisture levels

Accuracy: $\pm 5\%$,
Range: 10%~90%RH,
without condensation

Working Environment and Installation

Working Environment

- Environment: For indoor use only
- Working Humidity: 10~90%
- Working Temperature: $-10^{\circ}\text{C} \sim +55^{\circ}\text{C}$
- Storage Temperature: $-20^{\circ}\text{C} \sim +65^{\circ}\text{C}$

Installation Details

- Installation: Wall flush mounting
- Flush Mounted Module: EU/GB standard
- Wiring Way: Line & Neutral

