

Smart Key Switch

This keypad panel features high-quality AG glass with a soft-touch finish, offering both an elegant look and a premium touch experience. It connects seamlessly to the gateway through the ZigBee protocol for stable and efficient data transmission.


 by Oscar Rechou




Product Overview


This Smart Key Switch, designed with ZigBee 3.0 protocol specially, realize the whole linkage of your house. You can use smart switches on light bulbs so that you can turn on/off the lights with your mobile phone.

 **Standard ZigBee protocol**

 **Soft Touch**
Fingerprint resistance AG glass

 **Mobile app control or voice control support**

 **Multi-color**
Black, White and Gold

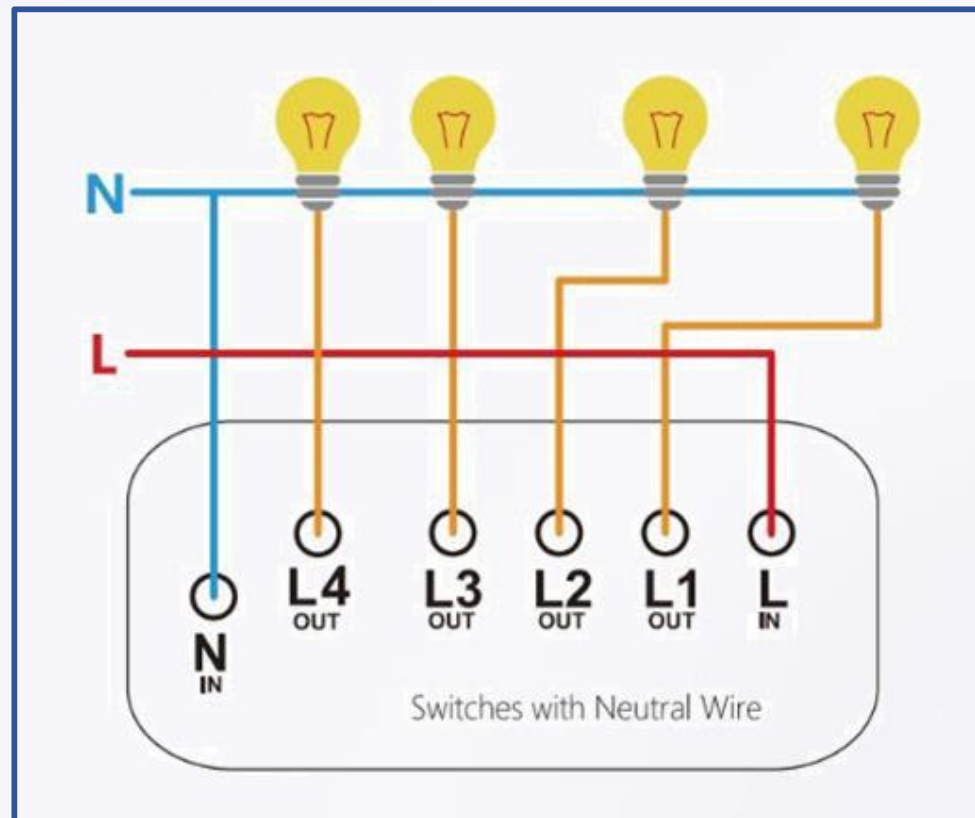
 **4 Models available**
1 to 4 Relay option available

 **Product Dimension**
86×86×35mm

Technical Specifications

Model Number	SKS-1/4R-EU
Power Supply	100 ~ 240 VAC
Connections	ZigBee3.0
Product Size	86×86×35mm
Max.load	4 x 600W (max. pro channel)
Operation Frequency	2.400GHz-2.484GHz IEEE802.15.4
Operation Range	≤200m
IP rating	IP20
Warranty	2 years
Certificates	CE, ROHS

Wiring Diagram and Installation Guide



Follow the networking method and wiring diagram for a successful installation of your Key Switch.

1. Connect the power cord correctly according to the wiring diagram to power the device;
2. Press and hold any button for about 10 seconds, the device's indicator light flashes quickly, indicating it has entered the network pairing mode;
3. Add the device to the network through a gateway device.